



## Pioneer2.0\_M

### Over Counter Electric Dispenser

Specification Guide

Pioneer2.0\_M



Short Edition



Tall Edition

## Features

### Key Feature 1

Big ice bank weight for compact profile, meet Customer conditions

### Key Feature 2

Separately refrigeration deck, fan & agitator modular

### Key Feature 3

Integrated water tank design to improve anti-condensation performance at severe condition

### Key Feature 4

New water level sensor design to increase the components' reliability

### Key Feature 5

No side louvers, no constraints on setting equipment side by side.

### Key Feature 6

Easier & quicker CSD/NCB conversion

### Key Feature 7

External removable condenser filter.

### Key Feature 8

With rat guard design





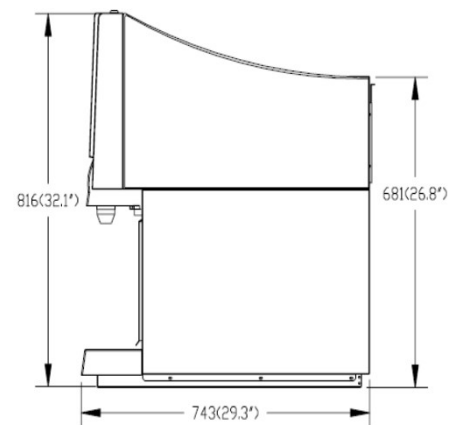
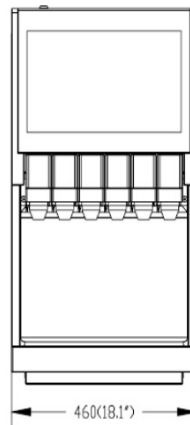
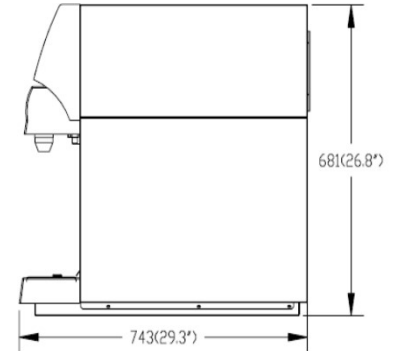
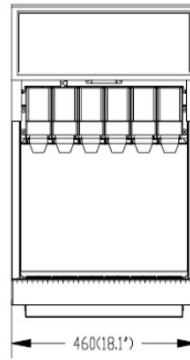
# Pioneer2.0\_M

## Over Counter Electric Dispenser

Specification Guide

### Technical Specification

<b>Model</b>	Pioneer 2.0_M
<b>Electrical</b>	230V 50Hz
<b>Refrigerant</b>	R290
<b>Ice Bank Size</b>	23.1 lbs. / 10.5Kg
<b>Compressor Size</b>	1/3HP+
<b>Operating Conditions</b>	50°F to 90°F (10° C to 32.2°C)
<b>Dispenser Dimensions</b>	Short : 18.1"W x 29.3"D x 26.8"H 460 mm*743 mm*681mm  Tall : 18.1"W x 29.3"D x 32.1"H 460 mm*743 mm*816mm
<b>Recommended Clearance</b>	Top: 18.0" (450mm) Back: 6.0" (152 mm) and Sides: 6.0" (152 mm)
<b>Weight</b>	Operating: SHORT-278 lbs.(126 kg); TALL-287 lbs(130kg) Shipping: SHORT-187.4 lbs.(85 kg); TALL-231 lbs(105 kg)
<b>Continuous Draw capacity</b>	
<b>@2drinks per minutes@12oz</b>	
<b>@105°F(40.6°C)65%RH</b>	N/A
<b>@90°F(32.2°C)65%RH</b>	99drinks
<b>@75°F(24°C)75%RH</b>	193drinks
<b>Water Bath Size</b>	48L
<b>Water Connection</b>	3/8" barb fitting on dispenser
<b>Water Supply Requirements</b>	Water pressure: 20-65PSI (0.14Mpa-0.45Mpa) NCB circuit pressure >40PSI (0.28Mpa) <i>For water pressure exceeding the optimum supply specification, flow control set at 50psi is recommended</i>
<b>Flow Rate</b>	Beverage pour rate 1.5-3oz/sec
<b>Agency Listing</b>	 



Model Number	Description

Accessories Number	Description

To learn more and see **Pioneer2.0\_M** in action, visit [cornelius.com](http://cornelius.com)  
To contact us directly, go to [cornelius.com/contact-us](http://cornelius.com/contact-us)

