



Viper™ Elite Carts

For Frozen Beverage Dispensers

Specification Guide

VIPER™ ELITE CARTS



Features

Durability

Stainless steel side panels

Storage

Provides storage for syrup BIB and BIB pumps

Mobility

Includes casters



MARMON
Foodservice
Technologies

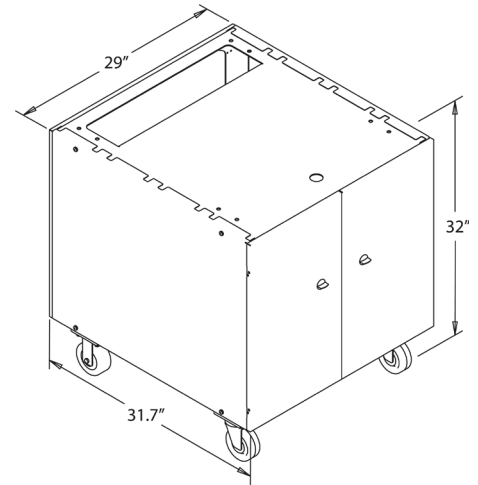
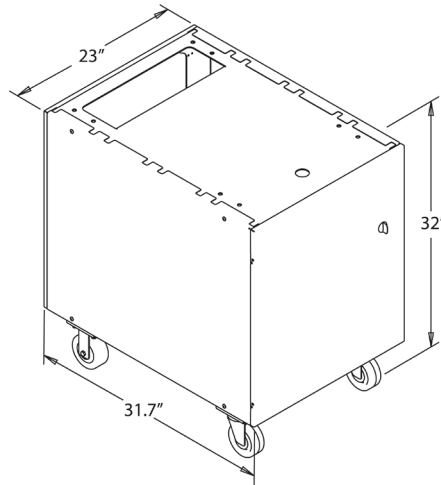
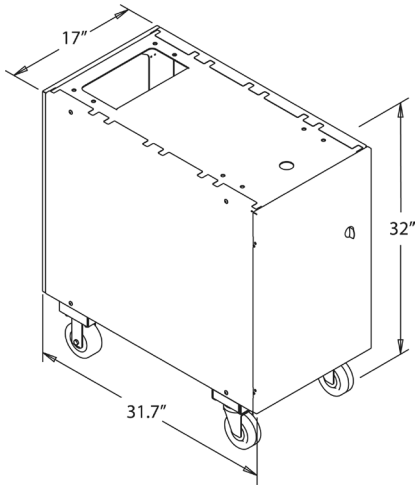
A BERKSHIRE HATHAWAY COMPANY



Viper™ Elite Carts

For Frozen Beverage Dispensers

Specification Guide



Technical Specifications

Shipping Weight	Viper™ Elite 2 Flavor Cart: 175 lb (79.3 kg)
	Viper™ Elite 3 Flavor Cart: 175 lb (79.3 kg)
	Viper™ Elite 4 Flavor Cart: 200 lb (90.7 kg)

Model Number	Description
620043075	Viper™ Elite 2 Flavor Cart, Stainless Steel Side Panels
620053990	Viper™ Elite 3 Flavor Cart, Stainless Steel Side Panels
620046556	Viper™ Elite 4 Flavor Cart, Stainless Steel Side Panels

To learn more and see **Viper™ Elite Carts** in action, visit cornelius.com
To contact us directly, go to cornelius.com/contact-us